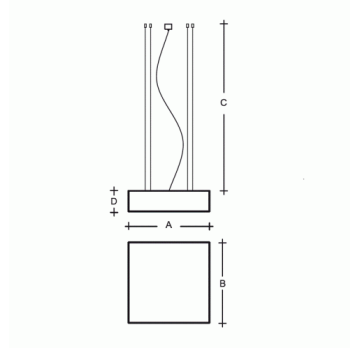


IZAR B MAX ZL4.IB.L2.900M.91Y

- Type:** suspension lamp
- Lampshade:** acrylic glass
- Metal parts:** white painted steel plate
- Pendant:** steel wire suspension with a transparent cable



| W | K | Module luminous flux lm | Luminaire luminous flux lm | A | B | C | D | DALI 2 | Motion sensor | Emergency | Bluetooth | Track system | Weight |
|-----|------|-------------------------|----------------------------|-----|-----|------|-----|--------|---------------|-----------|-----------|--------------|--------|
| 142 | 4000 | 19737 | 16168 | 900 | 900 | 2000 | 180 | M | - | - | Q* | - | 25700 |

- Voltage:** 230V
- IK code:** IK06
- Ballast:** Driver
- CRI:** >90
- LED life:** L80/F10 50000 hours
- Watt:** 142 W
- Color temperature:** 4000 K
- Module luminous flux:** 19737 lm
- Luminaire luminous flux:** 16168 lm
- A:** 900 mm
- B:** 900 mm
- C:** 2000 mm
- D:** 180 mm
- Dali 2:** Available
- Motion sensor:** Not available
- Emergency module:** Not available
- Bluetooth control:** Available on inquiry
- Track system:** Not available
- Sádrokarton:** Not available
- Weight:** 25700 g

Lucis ZL4.IB.L2.900M.X IZAR B MAX LED / LDC (Polar)

Luminaire: Lucis ZL4.IB.L2.900M.X IZAR B MAX LED
Lamps: 1 x LED 282990

