

LUCIS, s. r. o.
Lánice 58
595 01 Velká Bíteš
Czech Republic
Tel: +420 566 531 005
E-mail: info@lucis.eu
Web: www.lucis.eu

REMOVAL AND REPLACEMENT OF THE LED LIGHT SOURCES

ATTENTION: The damaged light source must be collected separately from the municipal solid waste.

The luminaires from the LUCIS, Ltd. contain three basic types of LED light sources. In following text, we will identify as A, B and C.

1) DISASSEMBLY AND ASSEMBLY OF LIGHT SOURCE A

Light sources of this type are designed by the manufacturer LUCIS.

LED Modul LUCIS 140x16, 3000K
LED Modul LUCIS 140x16, 4000K
Modul Lucis LED circle D180mm, 3000K
Modul Lucis LED circle D180mm, 4000K
Modul Lucis LED ring 103/73mm, 3000K
Modul Lucis LED ring 103/73mm, 4000K
Modul Lucis LED ring 200/140mm, 3000K
Modul Lucis LED ring 200/140mm, 4000K
Modul Lucis LED ring 252/160mm, 3000K
Modul Lucis LED ring 252/160mm, 4000K
Modul Lucis LED ring 340/200mm, 3000K
Modul Lucis LED ring 340/200mm, 4000K
Modul Lucis LED ring 390/230mm, 3000K
Modul Lucis LED ring 390/230mm, 4000K

At first dismantle the cover, see in the manual of the luminaire. By screwdriver loosen bolts which fasten the light source to a supporting part of the luminaire (see Fig. 1). Remove the bolts and loose module.

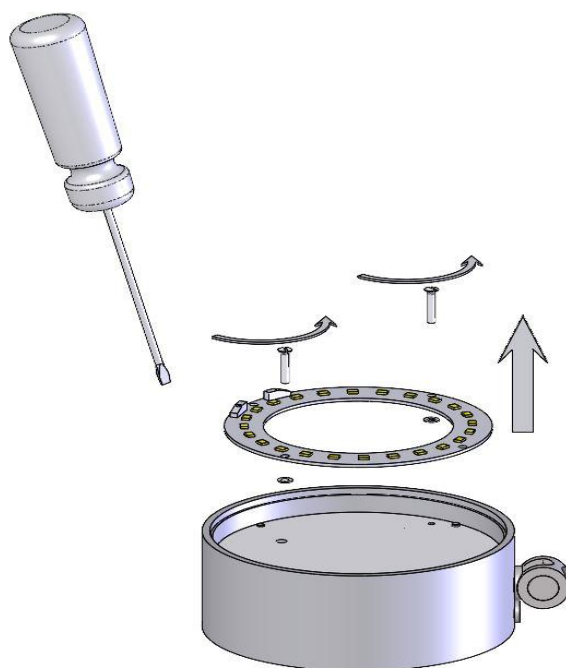


Fig. 1 - Demounting of the light source

The LED light module is powered by a current source using two wires with the specified polarity (blue and white +). These wires are plugged into the connectors. To disconnect the wires, it is necessary to push the tip of the BJB 46.131.-398.50 tool into the holes in the connectors (see Fig. 2). For replacement, it is necessary to order a new light source according to its type and the type of luminaire from the manufacturer LUCIS, s. r. o.

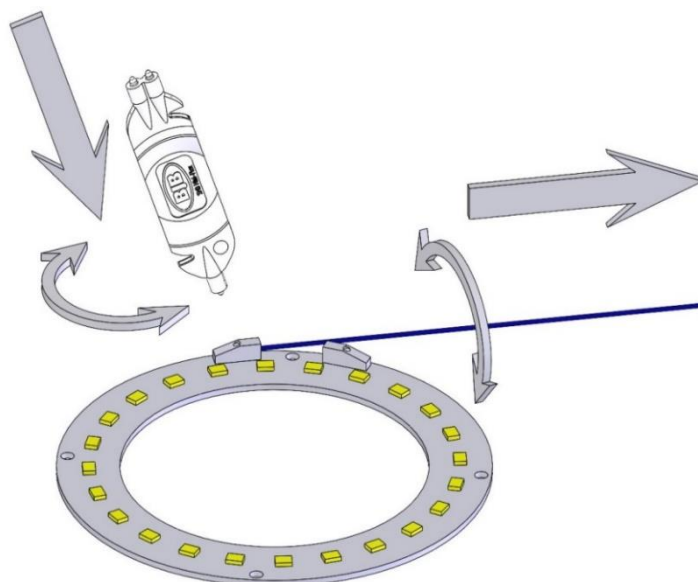


Fig. 2 - Disconnection of the power wire

ATTENTION! When handling, do not touch the LEDs, there is a risk of damage, which can occur even after a long time! Connect the new LED module according to the colors of the wires (blue - and white +) by inserting them into the connectors and fasten the LED module with screws (see Fig. 3 below).

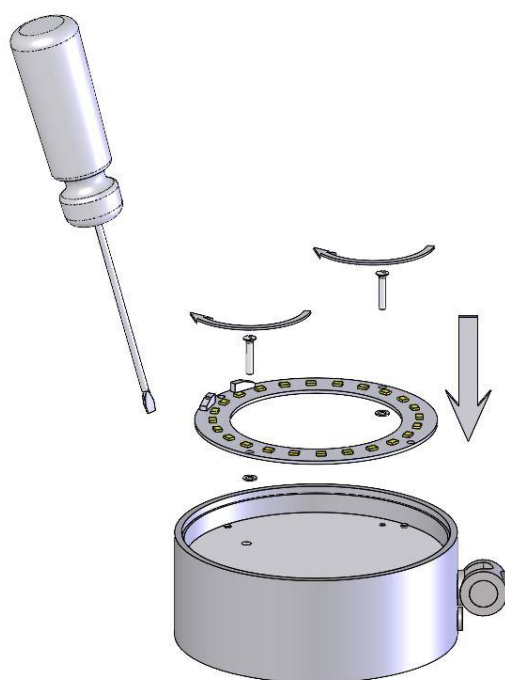


Fig. 3 - Installation of the light source

2) DISASSEMBLY AND ASSEMBLY OF LIGHT SOURCE B TYPE COB

Modul Citizen CLU028-1203C4-303M2M2-F1, 3000K
Modul Citizen CLU028-1203C4-403M2M2-F1, 4000K
Modul Tridonic SLE G7 09mm 1200lm 830 R ADV, 28002510
Modul Tridonic SLE G7 09mm 1200lm 840 R ADV, 28002511
Modul Tridonic SLE G7 09mm 1200lm 930 R ADV, 28002513
Modul Tridonic SLE G7 09mm 1200lm 940 R ADV, 28002514
Modul Tridonic SLE G7 15mm 4000lm 930 R ADV, 28002528
Modul Tridonic SLE G7 15mm 4000lm 940 R ADV, 28002530
Modul Tridonic SLE G7 17mm 5000lm 930 R ADV, 28002617
Modul Tridonic SLE G7 17mm 5000lm 940 R ADV, 28002619
Modul Tridonic SLE G7 21mm 6000lm 930 R ADV, 28002635
Modul Tridonic SLE G7 21mm 6000lm 940 R ADV, 28002637

a) THE LIGHT SOURCE COB TYPE B FASTEN BY BOLTS:

At first dismantle the cover, see in the manual of the luminaire. By screwdriver loosen bolts which fasten the light source to a supporting part of the luminaire (see Fig. 4. left). Take the COB light source out of the loosen socket. For replacement, it is necessary to order a new light source according to its type and the type of luminaire from the manufacturer LUCIS, s. r. o.

ATTENTION! When handling, do not touch the LEDs, there is a risk of damage, which can occur even after a long time! Insert the new same COB light source into the socket according to the correct polarity. It is necessary to apply a thin layer of thermally conductive paste with thermal conductivity ($\lambda \geq 0,67 \text{ W} \cdot \text{m}^{-1} \cdot \text{K}^{-1}$) to the contact surface of the COB source with the pad (see Fig. 4, right).

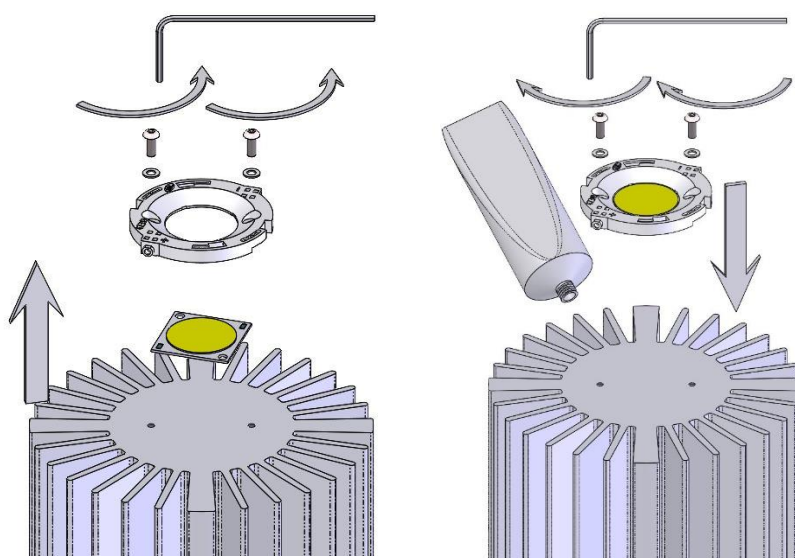


Fig. 4 - Disassembly and assembly of light source B type COB

b) THE LIGHT SOURCE COB TYPE B, FASTEN BY FIXING ELEMENTS

At first dismantle the cover, see in the manual of the luminaire. Use pliers to pull out the fixing elements securing the COB module socket to the support base. The fixing elements cannot be used again. Remove the COB light source from the loose socket (see Fig. 5). For replacement, it is necessary to order a new light source according to its type and the type of luminaire from the manufacturer LUCIS, s. r. o.

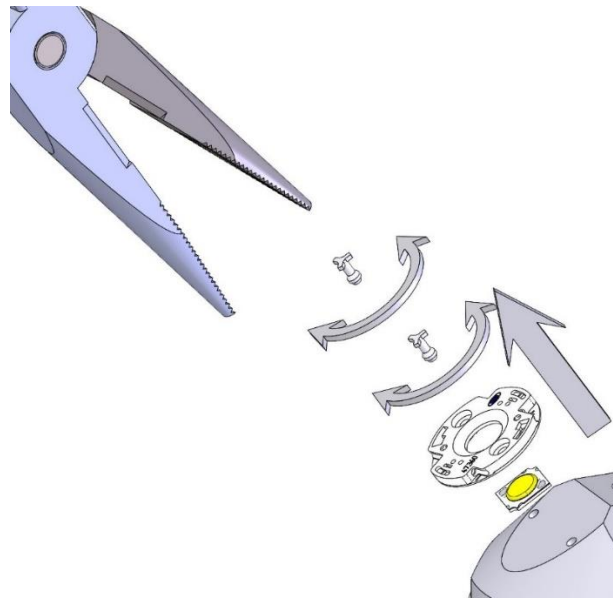


Fig. 5 - Disassembly of the COB light source fasten by fixing elements

ATTENTION! When handling, do not touch the LEDs, there is a risk of damage, which can occur even after a long time! Put the new LED module into the LED socket according to correct polarity. It is necessary to apply a thin layer of thermally conductive paste with thermal conductivity ($\lambda \geq 0,67 \text{ W} \cdot \text{m}^{(-1)} \cdot \text{K}^{(-1)}$) to the contact surface of the COB source with the pad. And fasten the LED with the fixing elements BJB 28.902.-102.10 (see Fig. 6), push them through the holes in the socket into the basis (see Fig. 7).



Fig. 6 - The fixing element BJB 28.902.-102.10

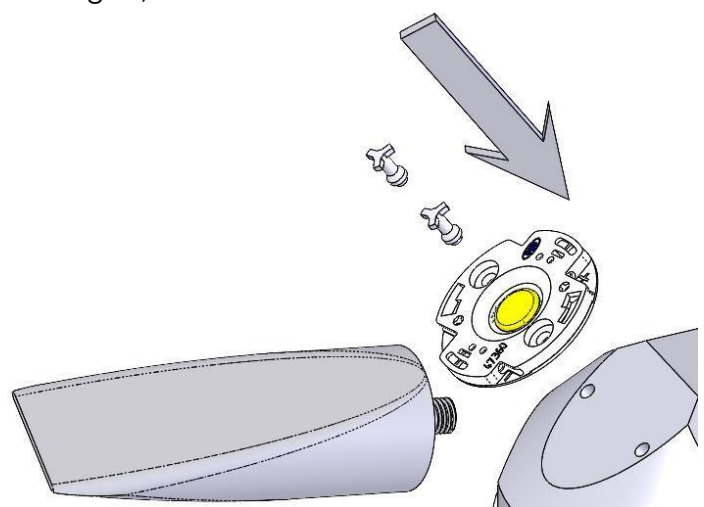


Fig. 7 - Installation of the COB light source by fixing elements

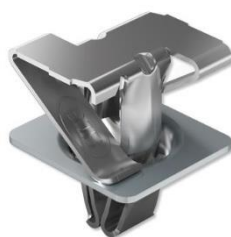
3) DISSASSEMBLY OF OTHER TYPES OF LIGHT SOURCES, TYPE C:

LED module	Solderable fixing element
CLE G1 120MM 2500LM 840 SNC, 89602909	BJB 28.904.U101
LLE 24x280mm 1250lm 930 HV ADV5, 89603230	
CLE 190mm 2500lm 840 ADV4 EM, 28002950	BJB 28.901.U165.10
CLE G1 120MM 2500LM 830 SNC, 89602908	
LLE 24x280mm 1250lm 940 HV ADV5, 89603231	
QLE 270x270mm 1250lm 830 ADV5, 28002985	
QLE 270x270mm 1250lm 840 ADV5, 28002987	BJB 28.901.U169.10
STARK-QLE-G2-380-5000-830-ADV, 89602156	
STARK-QLE-G2-380-5000-840-ADV, 89602157	

a) THE LIGHT SOURCE TYPE C, FASTEN BY FIXING ELEMENTS



BJB 28.901.U165.10



BJB 28.904.U101



BJB 28.901.U169.10

Fig. 8 - Fixing elements BJB

At first dismantle the cover, see in the manual of the luminaire. Use pliers to pull out the fixing elements securing the LED module to the support base (see Fig. 9). The fixing elements cannot be used again.

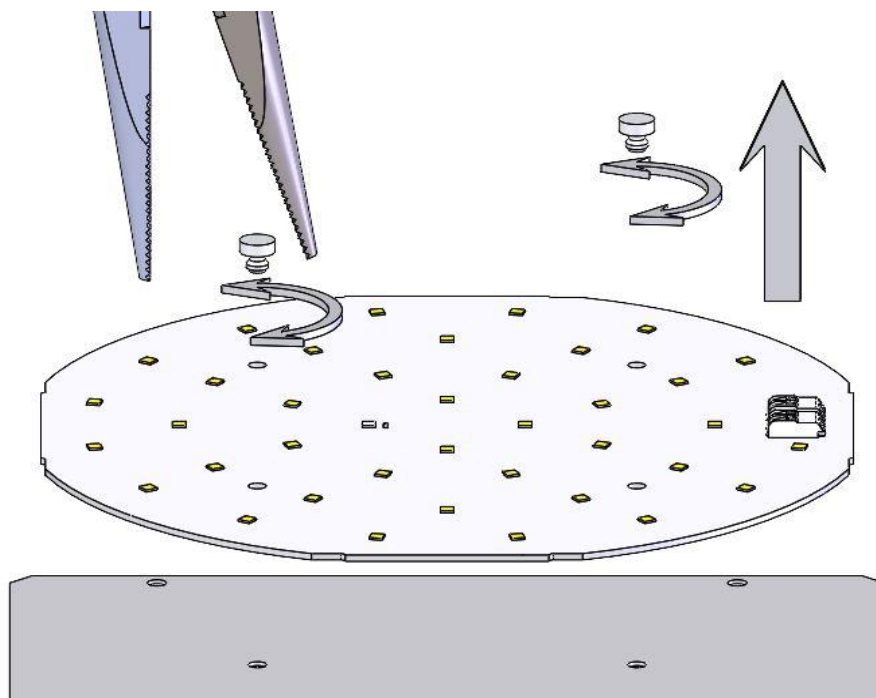


Fig. 9 - Dissassembly of the light source fasten by fixing elements

The LED light source is supplied by the current driver through two wires with certain polarity (blue -, white +). That wires are inserted in connectors. To disconnect of the wires from the connectors it should be pushed the tip of a utility (BJB 46.131.-398.50, see in Fig. 10) into a hole of the connector. For replacement, it is necessary to order a new light source according to its type and type of luminaire from the manufacturer LUCIS, s. r. o.

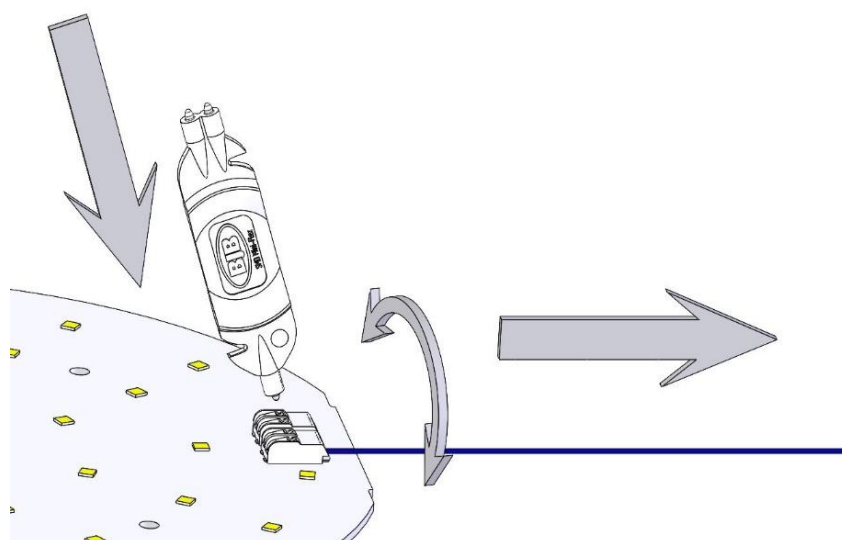


Fig. 10 - Disconnection of the power wire

It is necessary to use new fixing elements according to the table above to mount the LED module on the basis of the luminaire. The fixing elements are not interchangeable. Each of that is optimally chosen according to the construction of the light source and the supporting basis. To fasten the LED with the fixing elements, push them through the holes in module into the basis (see Fig. 11).

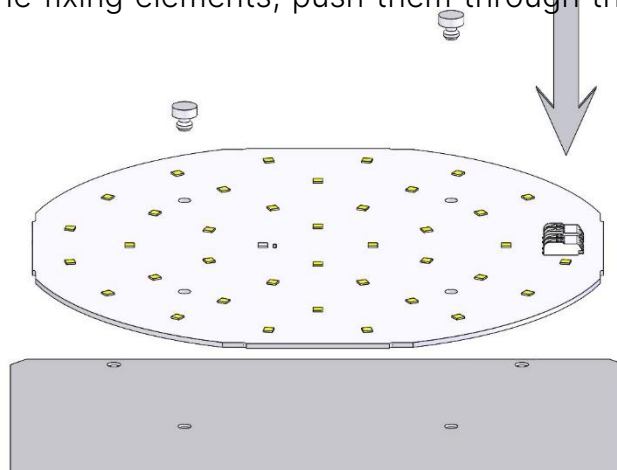


Fig. 11 - LED module assembly using fixing elements

b) DISASSEMBLY AND ASSEMBLY OF THE BOLT-MOUNTED LED MODULE

At first dismantle the cover, see in the manual of the luminaire. By screwdriver loosen bolts which fasten the light source to a supporting part of the luminaire (see Fig. 12). The LED light source is supplied by the current driver through two wires with certain polarity (blue -, white +). That wires are inserted in connectors. To disconnect of the wires from the connectors it should be pushed the tip of a utility (BJB 46.131.-398.50, see in Fig. 10) into a hole of the connector. For replacement, it is necessary to order a new light source according to its type and type of luminaire from the manufacturer LUCIS, s. r. o.

ATTENTION! When handling, do not touch the LEDs, there is a risk of damage, which can occur even after a long time! Connect the new LED module according to the colours of the wires (blue - and white +) by inserting them into the connectors and fasten the LED module with screws (see Fig. 12).

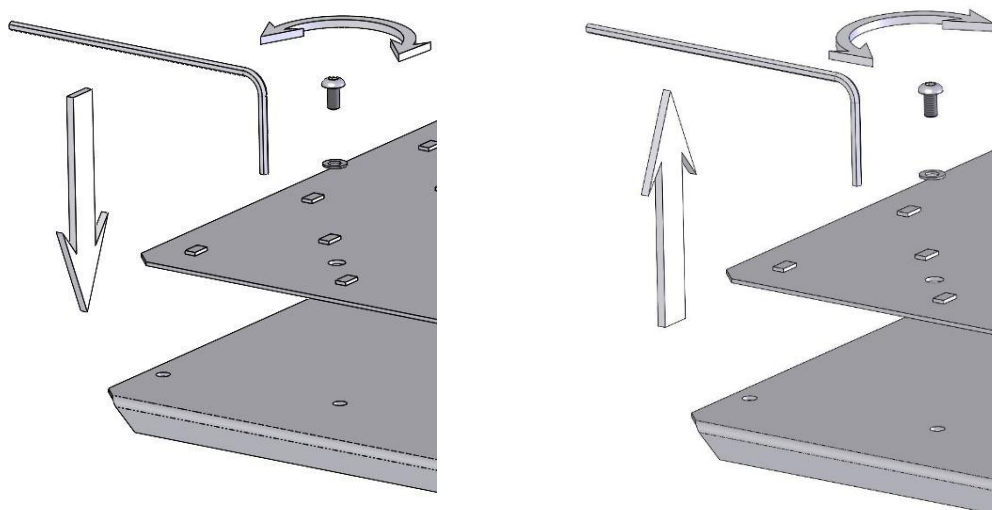


Fig. 12 - Disassembly and assembly of the bolt-mounted LED module