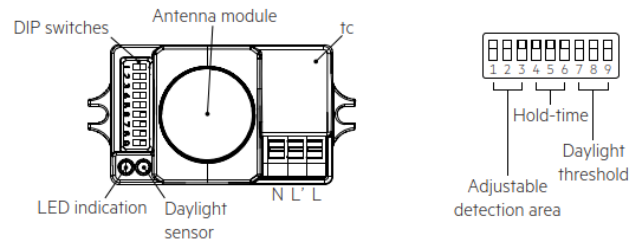


MOTION SENSOR HF 5DP F

Upon request, the luminaires can be equipped with a built-in high-frequency motion sensor. The sensor is installed inside the luminaire; so, it is not visible from outside. To find out the price of luminaires with sensors, please contact LUCIS sales department at info@lucis.eu.

TECHNICAL DATA

Operating voltage	220 - 240 V
Switched power	max. 400 VA capacitive; max. 800 W resistive
Standby power	> 0,5 W
Detection area	10/30/50/75/100 %
Hold-time	5s/ 30s/ 1min/ 5min/ 10min/ 20min/ 30min
Daylight threshold	2 - 50 lx
Microwave frequency	5,8 GHz ± 75 MHz
Transmission power	< 0,2 mW
Detection range	Ø7m / h5m
Detection angle	30-150°
Mounting height	max. 5 m



SETTINGS

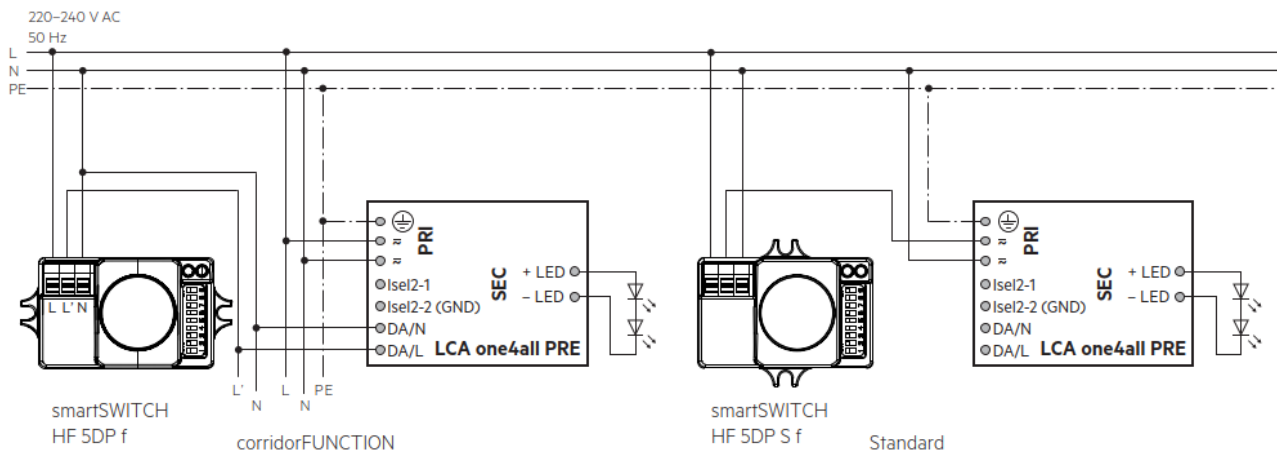
	1	2	3	Sensitivity
I	<input checked="" type="radio"/>	<input checked="" type="radio"/>	<input checked="" type="radio"/>	100 % (default)
II	<input type="radio"/>	<input checked="" type="radio"/>	<input checked="" type="radio"/>	75 %
III	<input type="radio"/>	<input checked="" type="radio"/>	<input type="radio"/>	50 %
IV	<input type="radio"/>	<input type="radio"/>	<input checked="" type="radio"/>	30 %
V	<input type="radio"/>	<input type="radio"/>	<input type="radio"/>	10 %

	4	5	6	Hold time
I	<input checked="" type="radio"/>	<input checked="" type="radio"/>	<input checked="" type="radio"/>	5 s (default)
II	<input checked="" type="radio"/>	<input type="radio"/>	<input type="radio"/>	30 s
III	<input checked="" type="radio"/>	<input type="radio"/>	<input type="radio"/>	1 min
IV	<input type="radio"/>	<input checked="" type="radio"/>	<input checked="" type="radio"/>	5 min
V	<input type="radio"/>	<input checked="" type="radio"/>	<input type="radio"/>	10 min
VI	<input type="radio"/>	<input type="radio"/>	<input checked="" type="radio"/>	20 min
VII	<input type="radio"/>	<input type="radio"/>	<input type="radio"/>	30 min

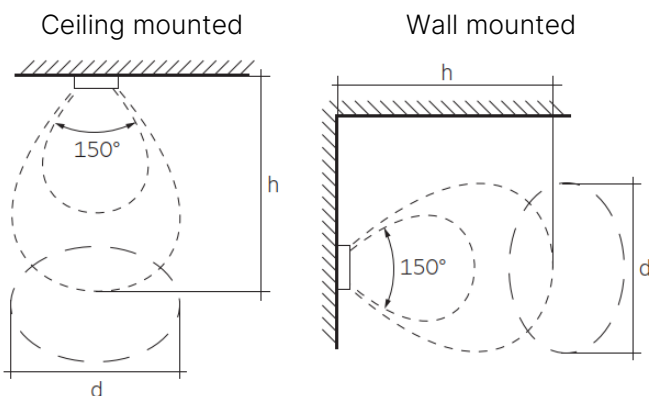
	7	8	9	Daylight sensor
I	<input checked="" type="radio"/>	<input checked="" type="radio"/>	<input checked="" type="radio"/>	Disable (default)
II	<input type="radio"/>	<input checked="" type="radio"/>	<input checked="" type="radio"/>	50 Lux
III	<input type="radio"/>	<input checked="" type="radio"/>	<input type="radio"/>	20 Lux
IV	<input type="radio"/>	<input type="radio"/>	<input checked="" type="radio"/>	5 Lux
V	<input type="radio"/>	<input type="radio"/>	<input type="radio"/>	2 Lux



WIRING DIAGRAM



DETECTION PATTERN



Sensibility		100 %	75 %	50 %	30 %	10 %
h	d					
0.5 m	5.0 m	3.0 m	1.5 m	1.0 m	0.50 m	
1.0 m	6.0 m	4.0 m	3.0 m	2.0 m	1.00 m	
1.5 m	6.5 m	4.0 m	3.0 m	2.0 m	1.00 m	
2.0 m	7.0 m	4.5 m	3.5 m	2.5 m	1.00 m	
2.5 m	7.0 m	4.5 m	3.5 m	2.0 m	1.50 m	
3.0 m	7.5 m	5.5 m	4.0 m	1.5 m	0.50 m	
3.5 m	5.5 m	3.5 m	2.0 m	0.5 m	0.25 m	
4.0 m	5.5 m	3.0 m	1.5 m	0.5 m	0.25 m	
4.5 m	3.5 m	2.0 m	1.0 m	0.5 m	0.25 m	
5.0 m	3.0 m	1.5 m	1.0 m	0.5 m	0.25 m	