

MAIA B PMMA ZK.L2B.M800.Y PA

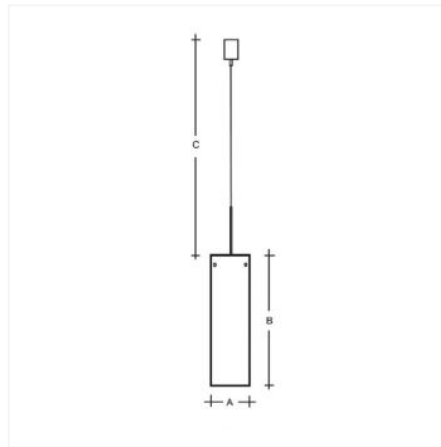
Type: suspension lamps

Lampshade: acrylic glass

Metal parts: painted steel plate

Colors: RAL 9016 gloss

Pendant: self-supporting white cable reinforced with a steel wire



Watt	K	lm	lm/W	A(mm)	B(mm)	C(mm)	DALI 2	Emergency module	Weight (g)
85,4	4000	11870	140	200	800	2000	M	R*	5400

LED life L80/F10 150000 hours

CRI >90

Voltage 230V

Watt: 85,4 W

Color temperature : 4000 K

Luminaire luminous flux : 11870 lm

A: 200 mm

B: 800 mm

C: 2000 mm

Dali 2: Available

Motion sensor : Unavailable

Emergency module : Unavailable

Bluetooth control : Unavailable

track system: Available on request

Plasterboard : Unavailable

Weight: 5400 g