

TENDO PMMA S44.K1.TEZ4.Y

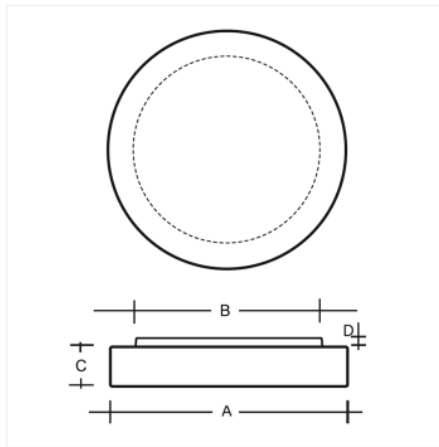
Type: ceiling and wall lamp

Lampshade: acrylic glass

Metal parts: -

Colors: RAL 9016 gloss

Pendant: -



Watt	K	lm	lm/W	A(mm)	B(mm)	C(mm)	D(mm)	DALI 2	Emergency	Motion sensor	Bluetooth	Weight (g)
35,8	3000	4453	127	460	440	80	20	M	O*	P*	Q*	2600

CRI >90

Voltage 230V

LED life L80/F10 150000 hours

Watt: 35,8 W

Color temperature : 3000 K

Luminaire luminous flux : 4453 lm

A: 460 mm

B: 440 mm

C: 80 mm

D: 20 mm

Dali 2: Available

Motion sensor :

Emergency module : Available on request

Bluetooth control : Available on request

track system: Unavailable

Plasterboard : Unavailable

Weight: 2600 g

Project 1



Lucis S44.K1.TEZ4 TENDO LED / LDC (Polar)

Luminaire: Lucis S44.K1.TEZ4 TENDO LED
Lamps: 1 x LED G6

